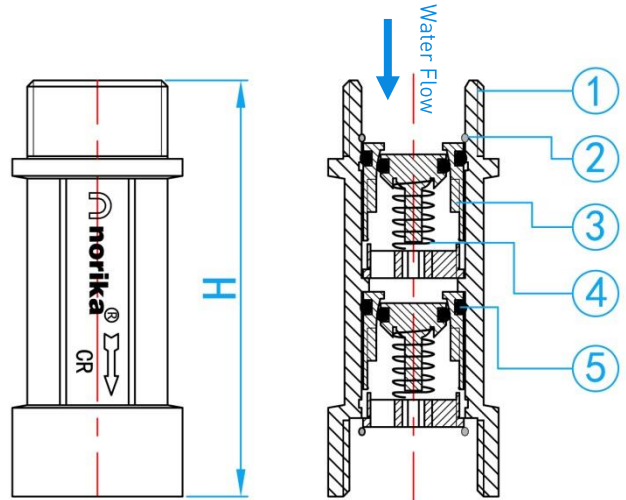
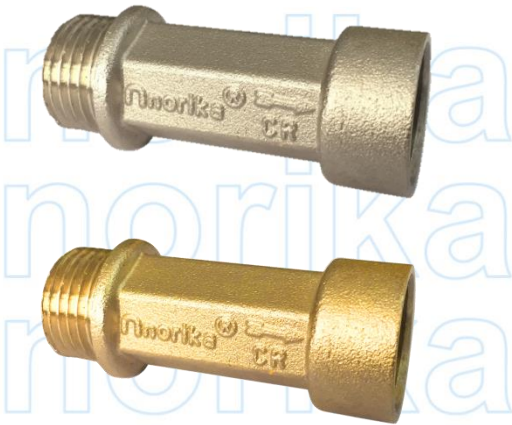


DZR BRASS DOUBLE CHECK VALVE MXF

COMPLY WITH BS5154:1991



FRONT VIEW

CROSS SECTIONAL VIEW

STANDARD SPECIFICATION	
Working Pressure	200Psi
Applicable Medium	Water

DIMENSIONS				
SKU	SIZE (inch)	H (mm)	WEIGHT (Kg)	PCS/CTN
DCVCRN015MFCP (CHROME PLATE)	½" BSP	61.0	0.068	240
DCVCRN020MF	¾" BSP	80.5	0.187	100
DCVCRN025MF	1" BSP	87.0	0.275	100

COMPONEN PARTS		
ITEM	PARTS	MATERIAL
1	Body	DZR Brass
2	Snap Ring	AISI304
3	Spool	ABS
4	Spring	AISI304
5	Seat	NBR